



COMFORT PARK BENCH

Design: GINMAN, HARBOE, BORUP LANDSKABSARKITEKTER

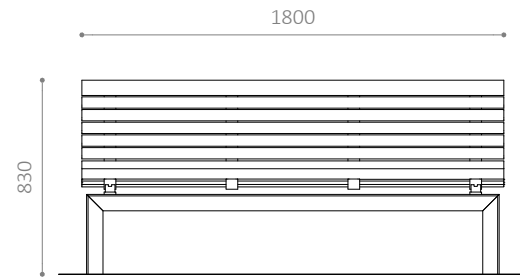
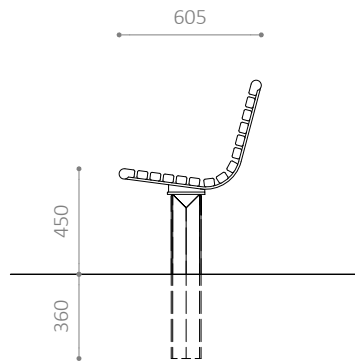
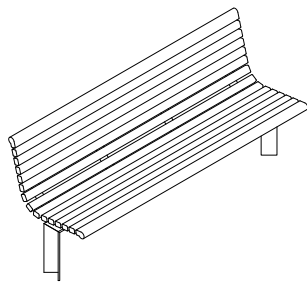
Classic park bench with good seating comfort

Optional extra: Armrests

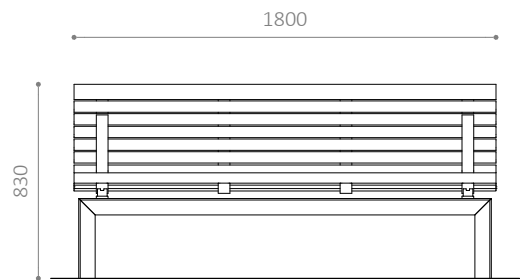
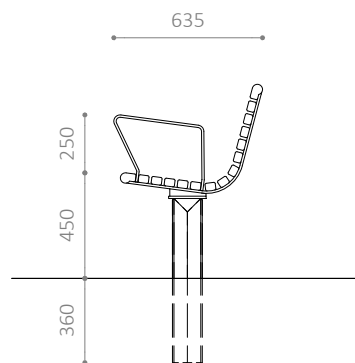
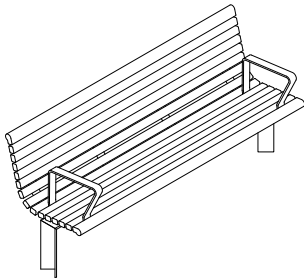
Available for embedding, bolting to the ground or wall mounting



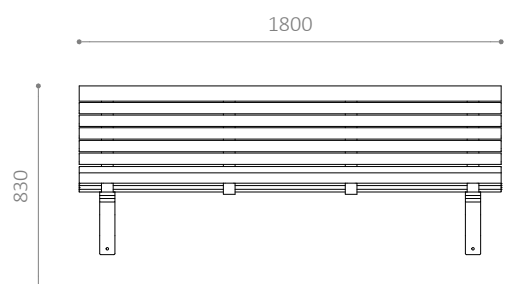
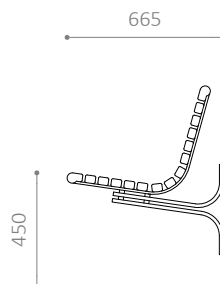
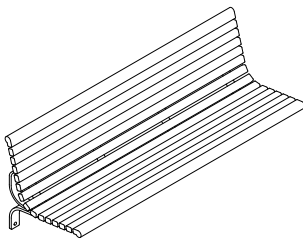
Comfort BN



Comfort BN A



Comfort BN V



COMFORT PARK BENCH

- Classic park bench with good seating comfort
- Optional extra: Armrests
- Also available in any RAL colour

MATERIALS:

- Oil-treated, FSC®-certified mahogany
- Also available in untreated FSC®-certified mahogany
- Hot-dip galvanised steel
- Also available in powder-coated, hot-dip galvanised steel

DIMENSIONS:

Foot plate: 530 x 100 x 10 mm steel

Legs: 90 x 9 mm angular steel

Frame: 50 x 10 mm steel

Wall mountings: 65 x 15 mm

Edging slats: 44 x 65 mm

Centre slats: 44 x 33 mm

INSTALLATION:

- Available for embedding, bolting to the ground or mounting on a wall
- Recommended base dimensions: \varnothing 300 x H600 mm
- Recommended seat height front edge: 450 mm



The mark of responsible forestry